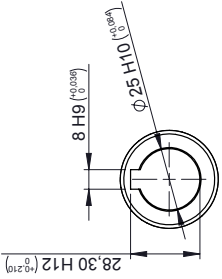
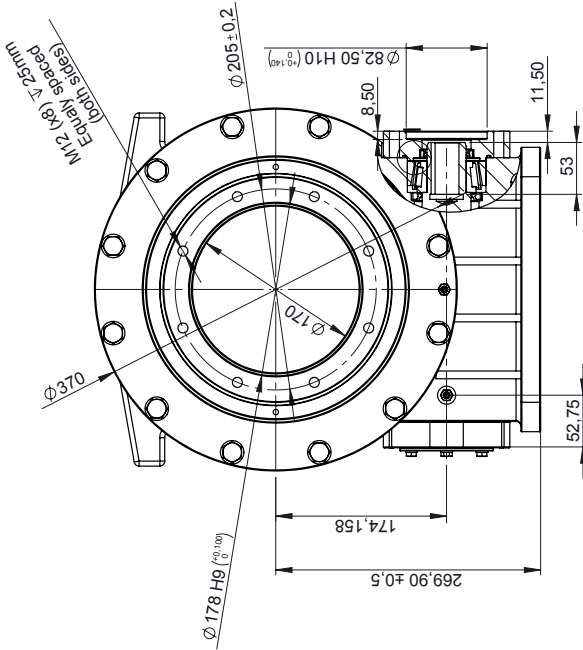
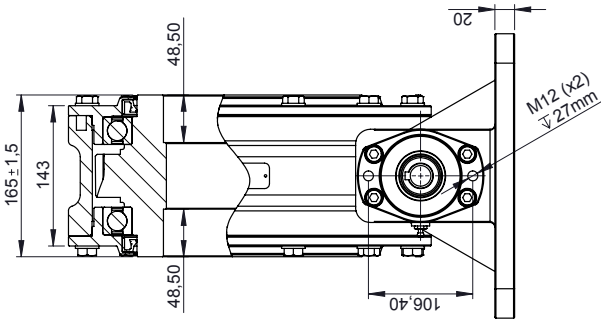
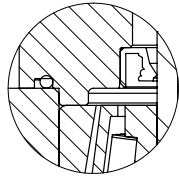


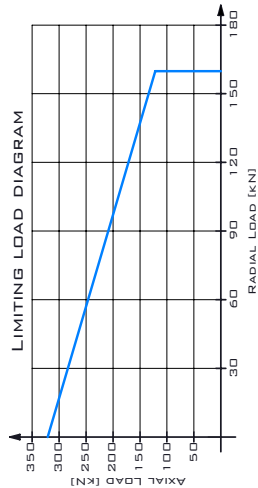
VERTICAL SERIES



Input shaft detail
Scale 1:2

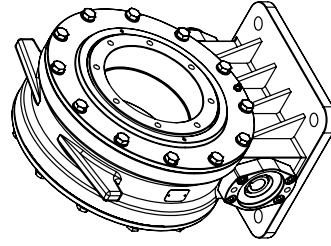
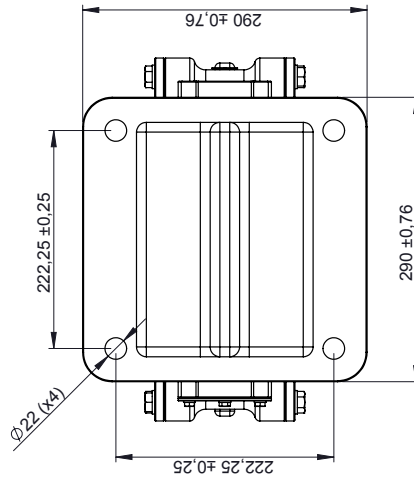
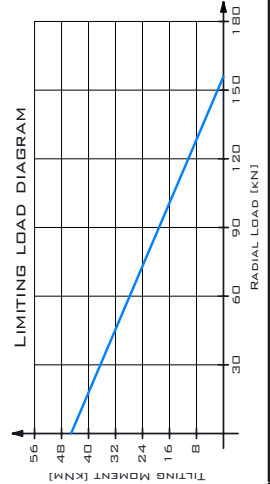


O-ring and Lip seal detail
Scale 1:1



MAIN PERFORMANCE PARAMETERS	
GEAR RATIO	6:1:1
HOLDING TORQUE	35kNm
EFFICIENCY	40%
TILTING MOMENT	33.9kNm
SELF-LOCKING GEAR	YES
RADIAL STATIC LOAD	135kN
AXIAL STATIC LOAD	338kN
RADIAL DYNAMIC LOAD	71kN
AXIAL DYNAMIC LOAD	81kN

NOTES: ALL BEVY DRIVE ARE PRE-LUBRICATED. MAXIMUM OUTPUT SPEED 1000RPM.



>1200	±1.2
>400.0 - 1200	±0.8
>120.0 - 400.0	±0.5
>30.0 - 120.0	±0.3
>6.0 - 30.0	±0.2
>3.0 - 6.0	±0.1
>0.3 - 3.0	±0.1

Range of sizes
Unlubricated
lubricated



Reference	TVR314-Z0-RM	Rev	A
Denomination	Sales Drawing	NUM. PIECES:	1
MATERIAL:	WEIGHT [kg]: 101.86	SIZE:	
SCALE:		SHEET:	1 of 1

SHAFT: Ø 25MM KEYS SHAFT

Units: mm

The details in this drawing are property of TGBgroup. It is not allowed to copy, reproduce or use the details copy with the original number control. TGBgroup reserves the right to change the details without previous approval (copy of communication).